

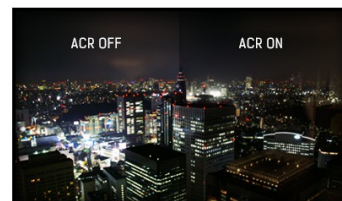


The ProLite E2280HS is a 22" Full HD 1920 x 1080p LED-backlit monitor. It features 5ms black-to-black response time and 12 000 000 : 1 Advanced Contrast Ratio assuring very good picture quality. Triple Input support of Analogue, DVI and HDMI ensures compatibility with the latest installed graphics cards and embedded Notebook outputs. The monitor is Energy Star Certified. A reliable solution for both home and office use.



### FULL HD

With true 1920 x 1080p resolution your monitor is ready to display high definition images. This means you can accommodate more information on your screen; e.g. 60% more in comparison to a 1280 x 1024 monitor.



### ACR

Contrast Ratio is a measurement of the difference between the darkest black and the brightest white your monitor can display. Advanced Contrast Ratio is a feature that automatically adjusts contrast and brightness of the screen to assure perfect picture quality while watching films and playing games.

## 1. DISPLAY CHARACTERISTICS

|                    |  |
|--------------------|--|
| DIAGONAL           | 21.5"; 54.7cm  |
| PANEL              | TN, LED-Backlit  |
| DISPLAY AREA H X W | 268.11 x 476.64 mm; 10.6" x 18.8"  |
| RESPONSE TIME      | 5 ms   |
| CONTRAST           | 1000 : 1 typical   |
| CONTRAST           | 12 000 000 : 1 ACR   |
| BRIGHTNESS         | 250 cd/m <sup>2</sup> typical  |
| VIEWING ZONE CR>5  | horizontal/vertical: 178° / 170°; right/left: 89° / 89°; up/down: 85 / 85° |
| DISPLAY COLOUR     | 16.7 million   |
| PIXEL PITCH H X V  | 0.2482 x 0.2482 mm   |
| NATIVE RESOLUTION  | Full HD 1080p, 1920 x 1080 ( 2.1 megapixel)                                |
| HORIZONTAL SYNC    | 24 - 80 KHz  |
| VERTICAL SYNC      | 56 - 75 Hz   |
| SYNCHRONIZATION    | Separate sync  |
| ASPECT RATIO       | 16 : 9   |

## 2. INTERFACES & CONNECTORS

|                         |             |
|-------------------------|-------------|
| ANALOG INPUT CONNECTOR  | VGA         |
| DIGITAL INPUT CONNECTOR | DVI-D, HDMI |
| HDCP                    | yes         |

## 3. SPECIAL FEATURES

|                   |   |
|-------------------|---|
| APPLE - MAC       | All iiyama monitors are compatible with Apple-Macintosh computers.  |
| PLUG & PLAY       | VESA DDC2B™   |
| CONTROLS          | Via OSD in 9 languages (EN, DE, FR, ES, IT, PT, Chinese, RU, JP) and 5 front controls (Power, Menu, + /Volume, - /ECO, Auto)  |
| USER CONTROLS     | luminance (contrast, brightness, ECO, i-style Colour, ACR), image steep (clock, phase, H. position, V. position, aspect), colour (gamma, colour temperature, sRGB), OSD setup (H. position, V. position, OSD time out, language), others (reset, signal select, HDMI audio, information), volume, auto adjust |
| SPEAKERS          | 2 x 1 W (Stereo)  |
| ANTI-THEFT-DEVICE | Kensington-lock™ prepared   |
| CERTIFICATES      | CE, TUV-GS, CU, TCO 6   |
| TILT ANGLE        | 21° up; 5° down   |
| VESA MOUNTING     | 100 x 100 mm  |
| COLOUR            | Black   |

## 4. ACCESSORIES

---

|                      |   |
|----------------------|---|
| DRIVER               | Windows 95 / 98 / 2000 / ME / XP / Vista / 7 / 8  |
| INCLUDED ACCESSORIES | power cable, DVI-D cable, audio cable, stand, stand-base, cable holder, quick start guide, safety guide |

---

## 5. POWER MANAGEMENT

---

|                   |   |
|-------------------|---|
| POWER SUPPLY      | AC100~240V 50/60Hz                                |
| POWER SUPPLY UNIT | internal  |
| POWER USAGE       | 21 W typical; max. 0.5 W in Power management mode |
| POWER MANAGEMENT  | VESA DPMS, ENERGY STAR®                           |

---

## 6. EU ENERGY EFFICIENCY LABEL

---

|                           |                               |
|---------------------------|-------------------------------|
| ENERGY EFFICIENCY CLASS   | B                             |
| ON MODE POWER CONSUMPTION | 23.8W                         |
| ANNUAL ENERGY CONSUMPTION | 35 kWh/annum*                 |
| VISIBLE SCREEN DIAGONAL   | 55 cm; 21.5"; ( 22" segment ) |

---

*This is information under Regulation (EU) No 1062/2010.*

*\*Based on the power consumption of the television operating 4 hours per day for 365 days. The actual energy consumption will depend on how the television is used.*

## 7. EPEAT SILVER

---

|       |  |
|-------|--|
| EPEAT | EPEAT is a comprehensive environmental rating that helps identify greener computers and other electronic equipment. The Silver certification means the monitor meets all required criteria plus at least 50% of the optional requirements. EPEAT Silver is valid in countries where iiyama registers the product. Please visit <a href="http://www.epeat.net">www.epeat.net</a> for the registration status in your country. |
|-------|--|

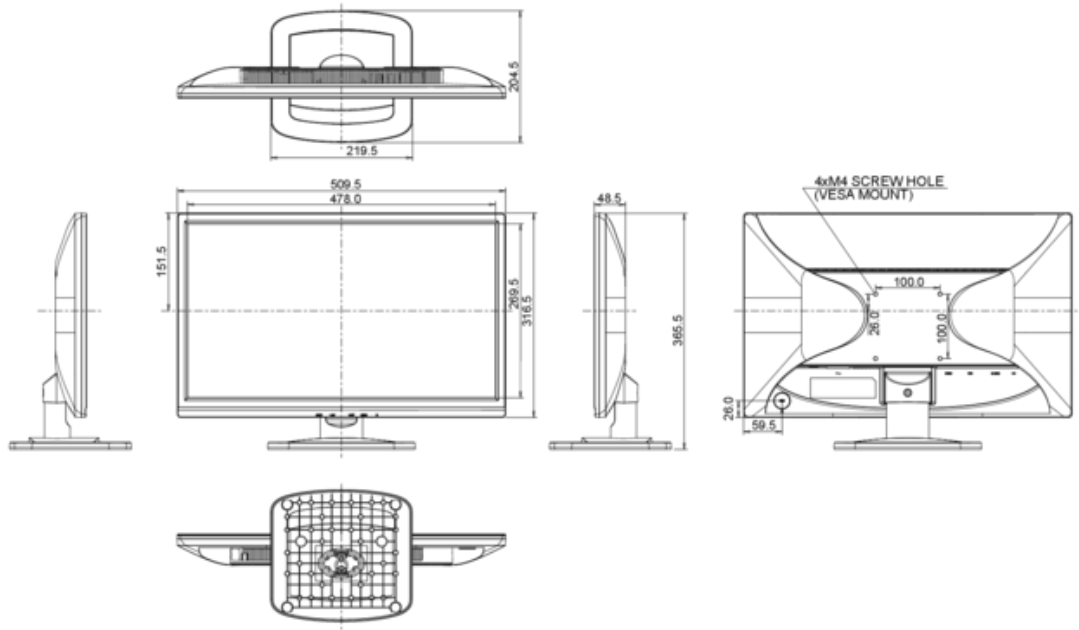
---

## 8. DIMENSIONS & WEIGHT

---

|                      |                          |
|----------------------|--------------------------|
| DIMENSIONS W X H X D | 509.5 x 365.5 x 204.5 mm |
| WEIGHT               | 3.3 kg                   |

---



All trademarks and registered trademarks acknowledged. E & O E. Specification subject to change without notice. All LCD's comply with ISO-9241-307:2008 in connection with pixel defects.

© IIYAMA CORPORATION ( ). ALL RIGHTS RESERVED.